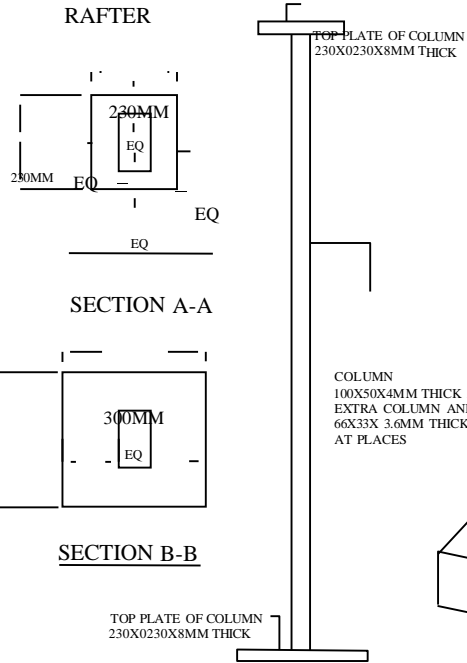
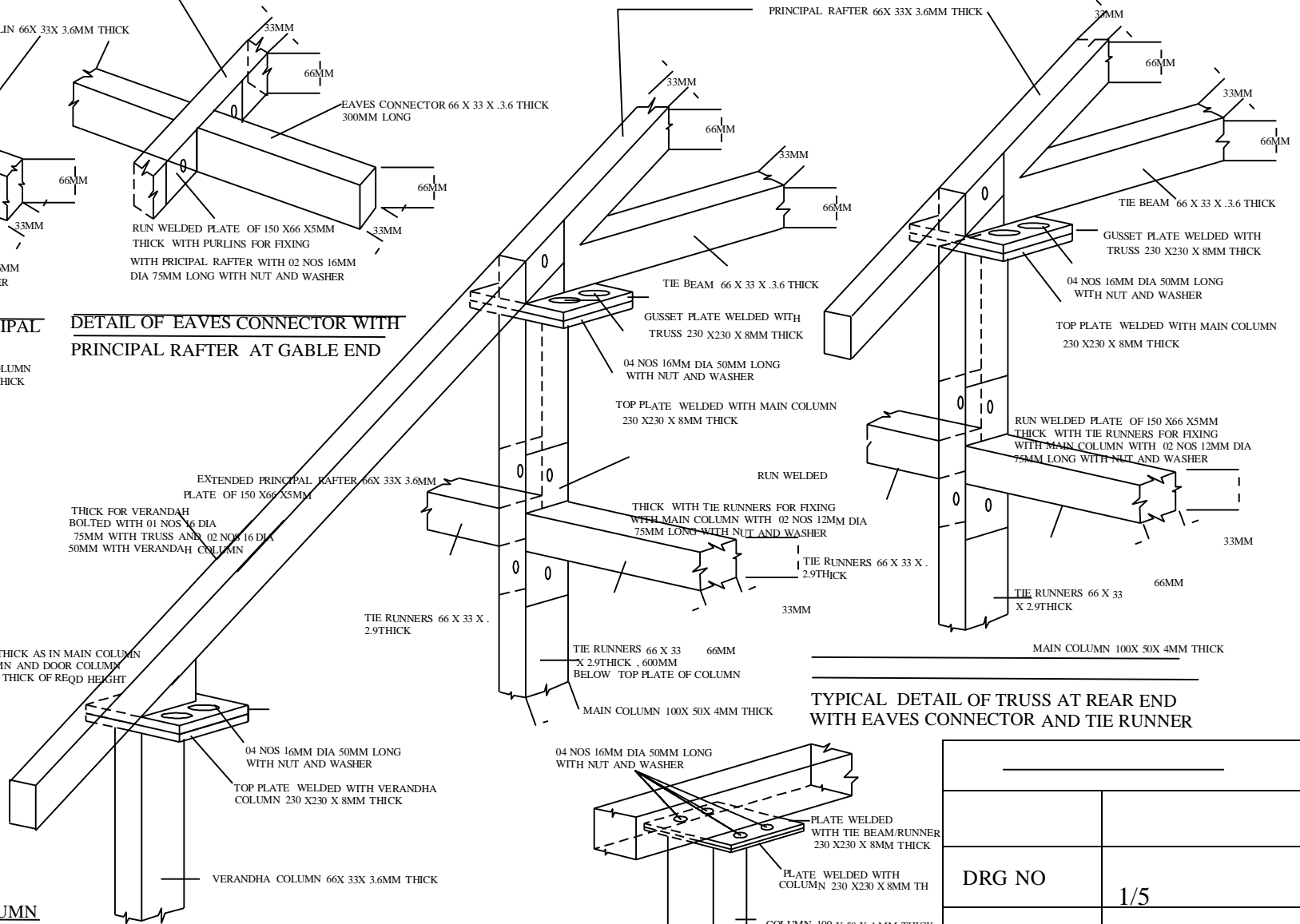


DETAIL OF PURLINS WITH PRINCIPAL RAFTER

DETAIL OF EAVES CONNECTOR WITH PRINCIPAL RAFTER AT GABLE END



TYPICAL DETAIL OF COLUMN



TYPICAL DETAIL OF TRUSS AT VARANDAH END WITH PRINCIPAL RAFTER WITH TIE RUNNER

TYPICAL DETAIL OF EXTRA COLUMN/ DOOR COLUMN WITH TIE BEAM/TIE RUNNER

TYPICAL DETAIL OF TRUSS AT REAR END WITH EAVES CONNECTOR AND TIE RUNNER

DRG NO	1/5