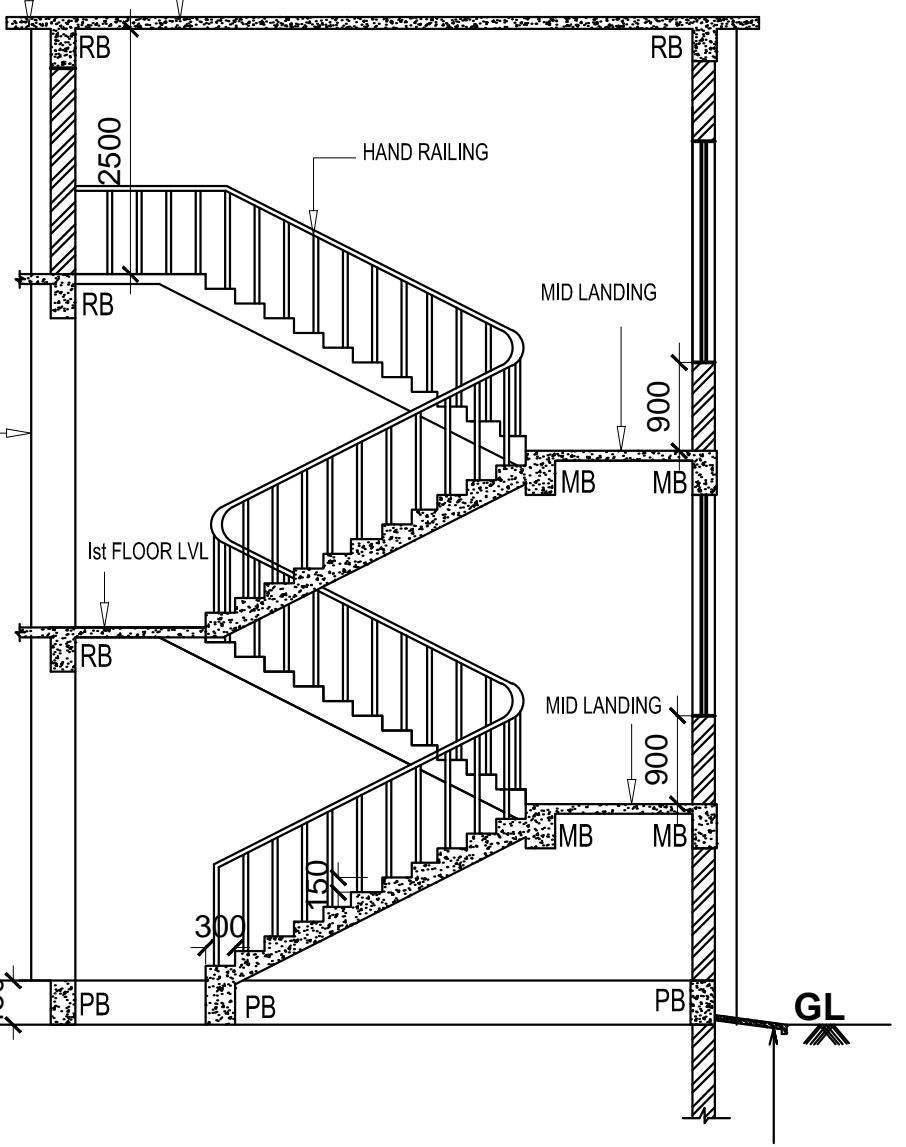
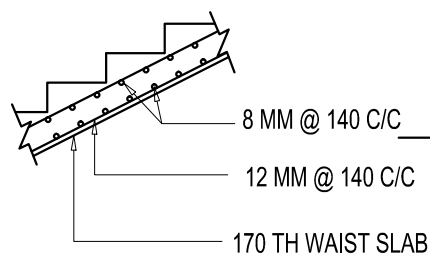
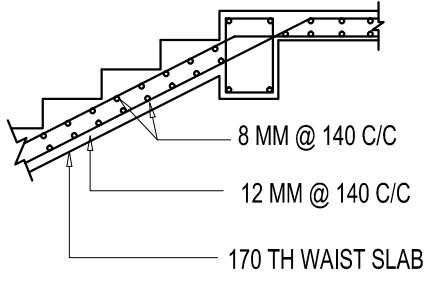
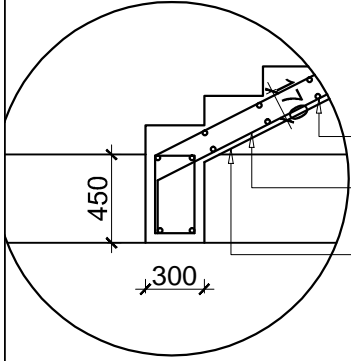


450 WIDE MUMTY ROOF
PROJECTION ABOVE

RCC ROOF SLAB LAID TO SLOPE 1:40
WITH WPT ON TOP



SECTION AT Z-Z